

BOEING 737 – 300 SF **AIRCRAFT SPECIFICATIONS**



The AYY container is a half size AAY container for use in narrow-body freighter aircraft and due to its half-size, in some cases referred to as Demi container.

Dimensions

Wingspan	28.90 m
Tail Height	11.10 m
Overall Length	33.4 m

Design Weights

Maximum Taxi Weight	63 500 kg
Maximum Landing Weight	52 880 kg
Maximum Zero Fuel Weight	49 710 kg
Operating Empty Weight	32 820 kg

Volumetric Capacity

Main Deck (9 PAJ type Pallets, or 16 AYY Containers)	
Lower Compartment: Fwd Bulk	10.48 cu m
Lower Compartment: Aft Bulk	14.31 cu m



Cargo Door 350 cm x 230 cm

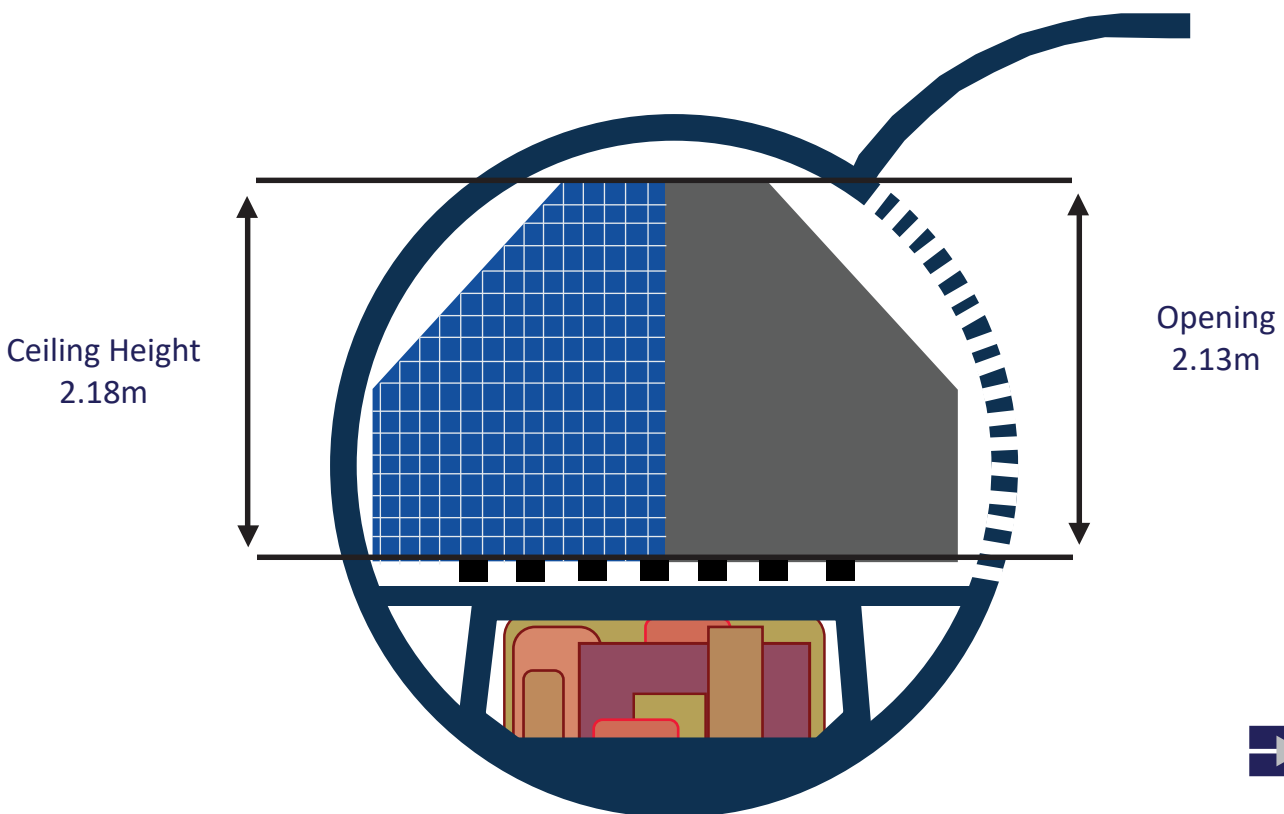
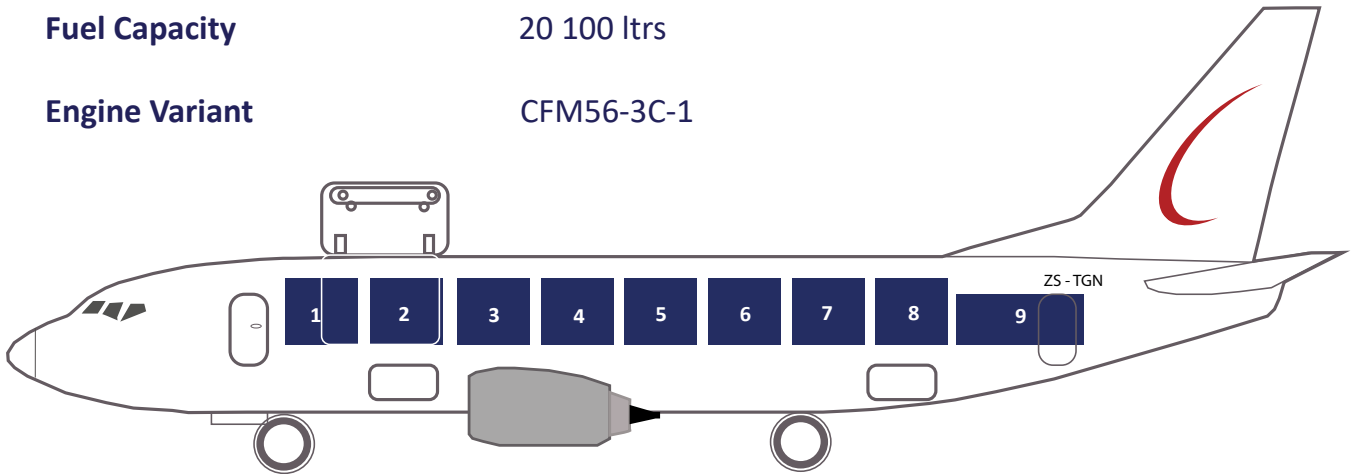
ULD Sizes

AYY Container 197 cm x 223 cm x 156 cm
Overall Length 317 cm x 223 cm

Max Cruise Speed 795 km/h

Fuel Capacity 20 100 ltrs

Engine Variant CFM56-3C-1





AYY CONTAINER

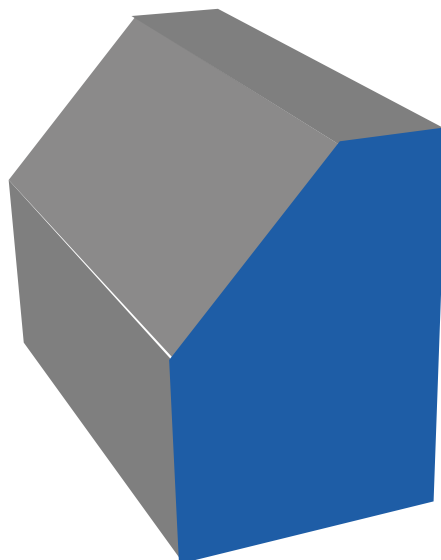
The AYY container is a half size AAY container for use in narrow-body freighter aircraft and due to its half-size, in some cases referred to as Demi container.

Two AYY (Demi) containers placed side by side can be handled as a conventional full contour container while providing operators the ability to easily split loads by final destination in order to reduce sorting time.

Placing a purpose made PVC cover over or shrink-wrapping the entire container from the bottom up in an overlapping manner will provide weather protection as well as prevent small pieces from becoming dislodged from the canvas door net, especially at the bottom where the webbing of the net is larger. If a PVC cover is made use of, shrink-wrap approximately two feet up from the bottom of the container. This procedure must be used when smaller pieces of cargo can become dislodged from the canvas door net.

Dimensions

Width	156 cm
Length	223 cm
Height	197 cm
Tare Weight	115 kg
Max Gross Weight	1814 kg
Volumetric Pivot Weight	750 kg



AYY CONTAINER



PAJ AIRLINE PALLET

The PAJ airline pallet is a full size aluminum pallet for use in a variety of aircraft. Due to the varying types of aircraft it may have contour restrictions placed on the amount and type of cargo loaded.

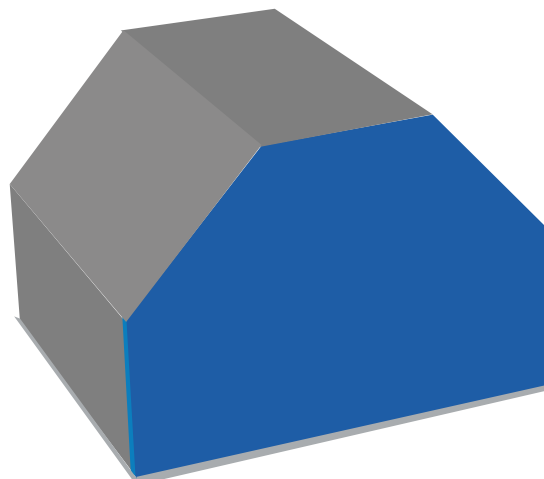
Drape a plastic tarp (or shrink-wrap) over the entire cargo load before netting. This will provide weather protection as well as prevent small pieces from becoming dislodged from the net, especially at the bottom of the net where the webbing of the net is larger. If necessary, place a plastic tarp under the cargo and tuck the ends of the tarp into the cargo approximately two feet up from the bottom. This will provide additional weather protection and help restrain smaller pieces loaded at the bottom. This procedure must be used when smaller pieces of cargo can become dislodged from the net.

Dimensions

Width	300 cm
Length	223 cm
Height	As determined by the aircraft contours
Tare Weight	90kg
Max Gross Weight	As determined by the aircraft contours
Volumetric Pivot Weight	1500 kg

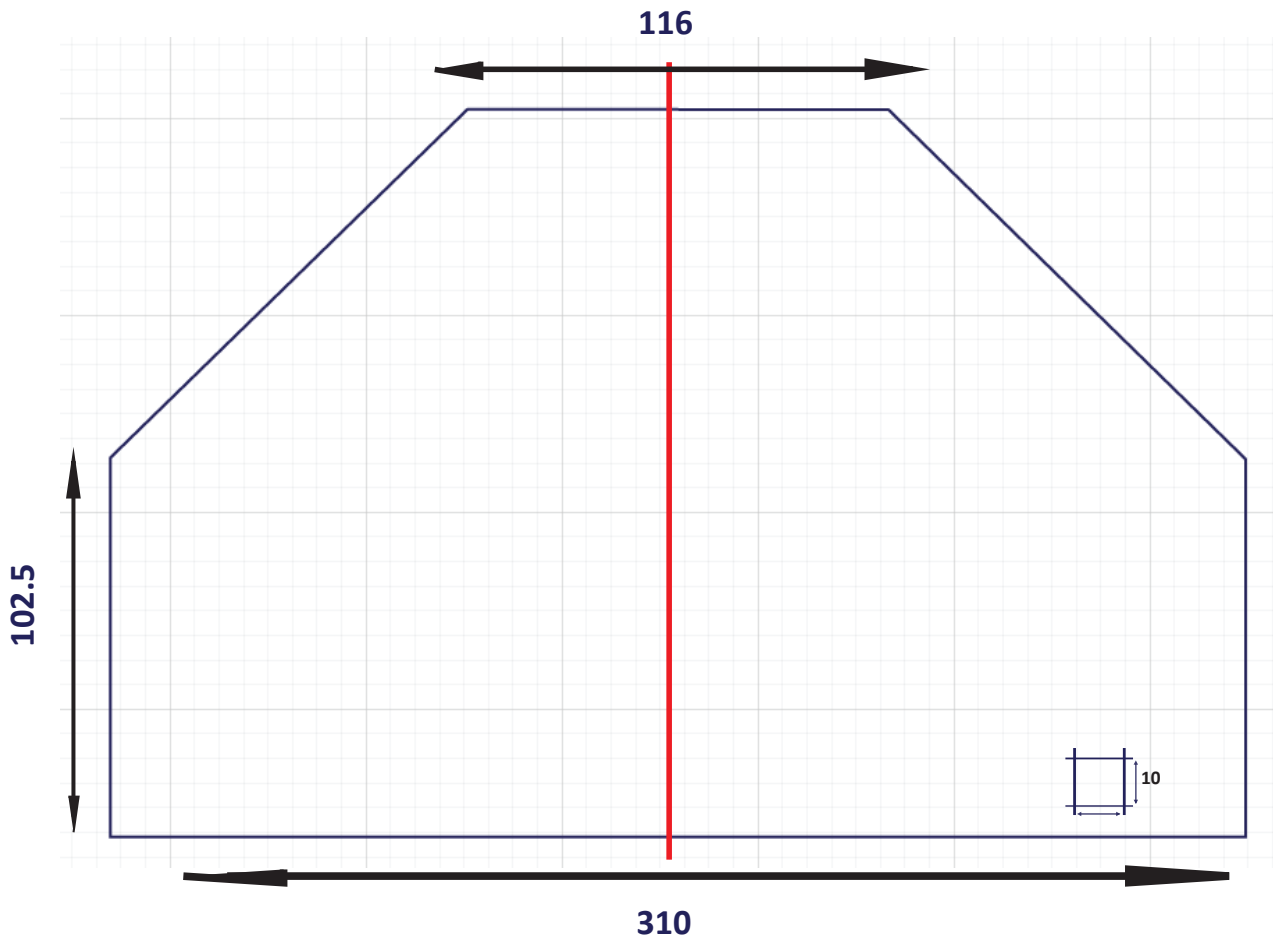
- Maximum contour dimensions for B737 – 300 SF aircraft is;
193cm (h) x 100cm (w) x 206cm (l).
100cm (h) x 300cm (w) x 206cm (l).
- Only two (2) maximum dimensions can be used at any given time, as the third dimension will then be limited by the aircraft contours.
- Maximum dimensions for a consolidated skid: **100cm x 75cm x 110cm**
- The numbers of items which reach the maximum dimensions and consolidated skids are further limited by the quantity received, as well as the time that they are received as we have limited space available to accommodate these. Furthermore, all consolidated skids must be stackable.
- Cargo received that reaches the maximum dimension guidelines as above is accepted only on a trial basis.

PAJ AIRLINE PALLET





BOEING 737-300 SF PAJ/PAG CONTOUR GUIDE

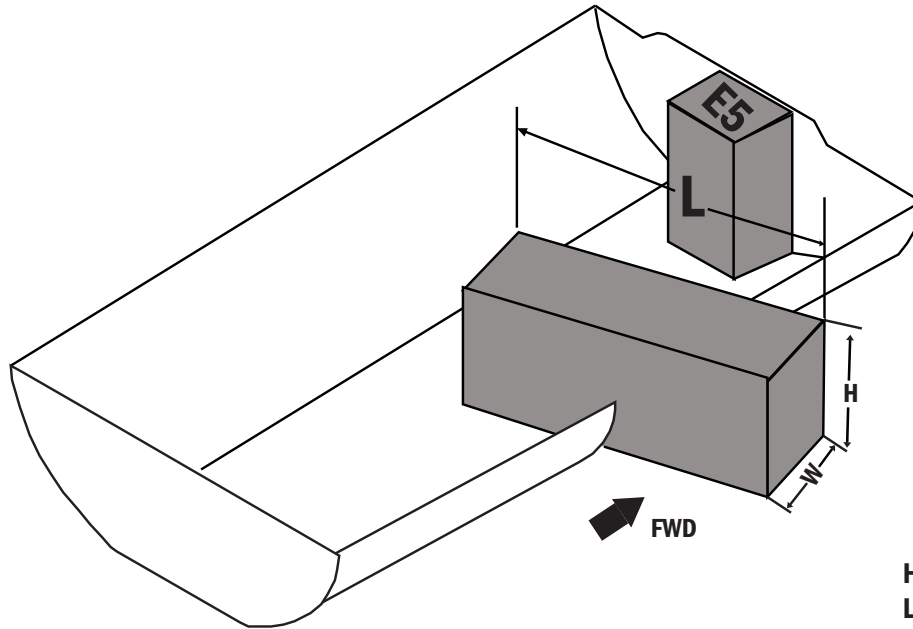


The above is to be used, to determine the maximum height and width dimensions for loading on to an airline pallet, with a maximum length of 215 cm.





BOEING 737-300 SF FWD CARGO COMPARTMENT PACKAGE DIMENSIONS LIMITS



H = HEIGHT
L = LENGTH
W = WIDTH

Width (Centimetres)								
12.70	25.40	38.10	50.08	63.50	76.20	88.90	101.60	114.30

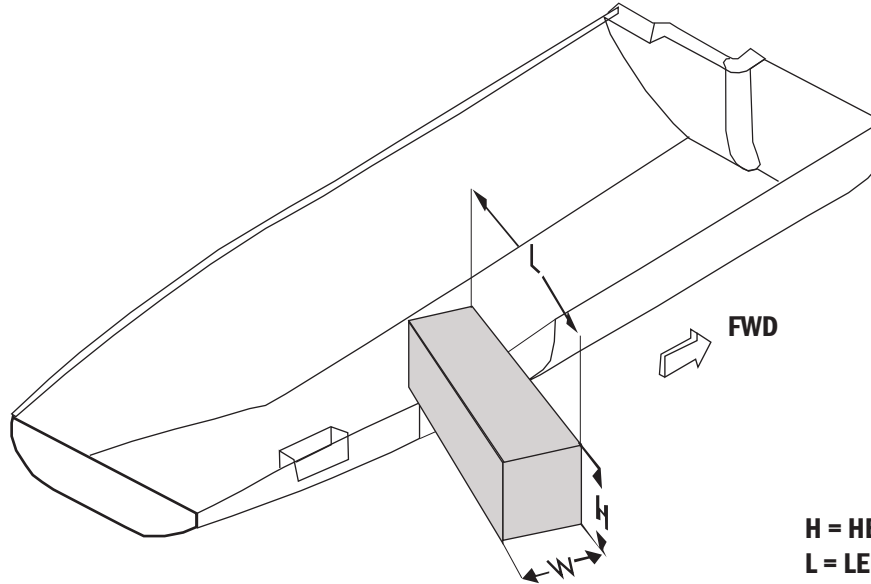
12.73
25.40
30.48
35.56
40.64
45.72
50.80
55.88
60.96
66.04
71.12
76.20
81.28
86.36

444.50	363.22	307.34	269.24	241.30	213.36	187.96	165.10	147.32
393.70	335.28	294.64	266.70	241.30	213.36	187.96	165.10	147.32
381.00	330.20	294.64	266.70	241.30	213.36	187.96	165.10	147.32
373.38	327.66	292.10	266.70	241.30	213.36	187.96	165.10	147.32
365.76	322.58	292.10	266.70	241.30	213.36	187.96	165.10	147.32
360.68	320.04	292.10	266.70	241.30	213.36	187.96	165.10	147.32
355.60	320.04	292.10	266.70	241.30	213.36	187.96	165.10	147.32
353.06	317.50	292.10	266.70	241.30	213.36	187.96	165.10	147.32
350.52	317.50	292.10	266.70	241.30	213.36	187.96	165.10	147.32
347.98	317.50	292.10	266.70	241.30	213.36	187.96	165.10	147.32
347.98	317.50	292.10	266.70	241.30	213.36	187.96	165.10	147.32
345.44	317.50	292.10	266.70	241.30	213.36	187.96	165.10	147.32
345.44	317.50	292.10	266.70	241.30	213.36	187.96	165.10	147.32
345.44	317.50	292.10	266.70	241.30	213.36	187.96	165.10	147.32

Length (Centimetres)



BOEING 737-300 SF FWD CARGO COMPARTMENT PACKAGE DIMENSIONS LIMITS



H = HEIGHT
L = LENGTH
W = WIDTH

Width (Centimetres)								
12.70	25.40	38.10	50.08	63.50	76.20	88.90	101.60	114.30

12.73
25.40
30.48
35.56
40.64
45.72
50.80
55.88
60.96
66.04
71.12
76.20
81.28
86.36

627.38	467.36	373.38	312.42	269.24	236.22	210.82	185.42	165.10
487.68	398.78	337.82	294.64	264.16	236.22	210.82	185.42	165.10
462.28	383.54	330.20	292.10	264.16	236.22	210.82	185.42	165.10
441.96	373.38	325.12	289.56	264.16	236.22	210.82	185.42	165.10
426.72	365.76	322.58	289.56	264.16	236.22	210.82	185.42	165.10
416.56	360.68	320.04	289.56	264.16	236.22	210.82	185.42	165.10
406.40	355.60	317.50	289.56	264.16	236.22	210.82	185.42	165.10
398.78	350.52	314.96	286.00	264.16	236.22	210.82	185.42	165.10
393.70	347.98	314.96	289.56	264.16	236.22	210.82	185.42	165.10
388.62	347.98	314.96	289.56	264.16	236.22	210.82	185.42	165.10
386.08	345.44	314.96	289.56	264.16	236.22	210.82	185.42	165.10
383.54	342.90	314.96	289.56	264.16	236.22	210.82	185.42	165.10
381.00	342.90	314.96	289.56					
378.46	342.90	314.96	289.56					

Length (Centimetres)